

421G



**WHEEL LOADERS**  
**G-SERIES EVOLUTION**



# SPECIFICATIONS

## 421G

### ENGINE

Engine Type \_\_\_\_\_ Turbocharged diesel engine  
with direct injection and intercooler  
Manufacturer \_\_\_\_\_ Fiat Powertrain Technology (FPT)  
Model \_\_\_\_\_ F5C  
No. Of Cylinders \_\_\_\_\_ 4  
Displacement (l) \_\_\_\_\_ 3.6  
Air Intake \_\_\_\_\_ Turbocharged with Waste Gate  
Injection \_\_\_\_\_ High pressure common rail  
After Treatment System \_\_\_\_\_ SCR-T  
Emission Level \_\_\_\_\_ Stage V

**Rated Engine Power**  
kW \_\_\_\_\_ 72  
hp \_\_\_\_\_ 97  
@ Engine rpm \_\_\_\_\_ 2200

**Peak Engine Power**  
kW \_\_\_\_\_ 84  
hp \_\_\_\_\_ 112  
@ Engine rpm \_\_\_\_\_ 2000

**Maximum Torque**  
Nm \_\_\_\_\_ 453  
@ Engine rpm \_\_\_\_\_ 1400

### TRANSMISSION

Two-speed "shift-on-fly" transmission  
Maximum Travel speed (km/h) \_\_\_\_\_ 40  
Maximum travel speed with optional speed limiter (km/h) \_\_\_\_\_ 20

### AXLES

Heavy Duty with Limited Slip  
Differential (front and rear) \_\_\_\_\_ Standard  
Heavy Duty with 100% differential  
lock (front and rear) \_\_\_\_\_ Optional  
Rear axle oscillation angle \_\_\_\_\_ 10°

### TIRES

Standard size \_\_\_\_\_ 17.5 R25 L3  
Optional size \_\_\_\_\_ 15.5 R25 L3

### BRAKES

Service brake \_\_\_\_\_ Wet service brake on front and rear axle  
Parking brake \_\_\_\_\_ Spring applied hydraulically released (SAHR)

### HYDRAULICS

Loader control valve \_\_\_\_\_ Closed-center circuit.  
Electro-hydraulic control  
Steering \_\_\_\_\_ Two hydrostatic cylinders controlled by a hydrostatic  
steering gear with relief on steering line and flow control  
Loader controls \_\_\_\_\_ Oil supplied to the integrated  
steering/loader hydraulic system by a variable displacement pump  
Pump Type \_\_\_\_\_ Variable displacement pump with closed center

### AUXILIARY HYDRAULICS

Standard oil flow (l/min) \_\_\_\_\_ 95  
Max oil flow (l/min) \_\_\_\_\_ 125  
Max pressure (bar) \_\_\_\_\_ 200

### FLUIDS CAPACITIES

Fuel tank (l) \_\_\_\_\_ 118  
DEF (AdBlue®) tank (l) \_\_\_\_\_ 21.5  
Engine coolant (water / antifreeze) (l) \_\_\_\_\_ 13.9 + 13.9  
Engine oil (l) \_\_\_\_\_ 7  
Hydraulic oil tank (l) \_\_\_\_\_ 74  
Front and rear axles (l) \_\_\_\_\_ 7.5  
Wheel hubs (each) (l) \_\_\_\_\_ 1.4  
Gearbox (l) \_\_\_\_\_ 1.8

### CAB PROTECTION

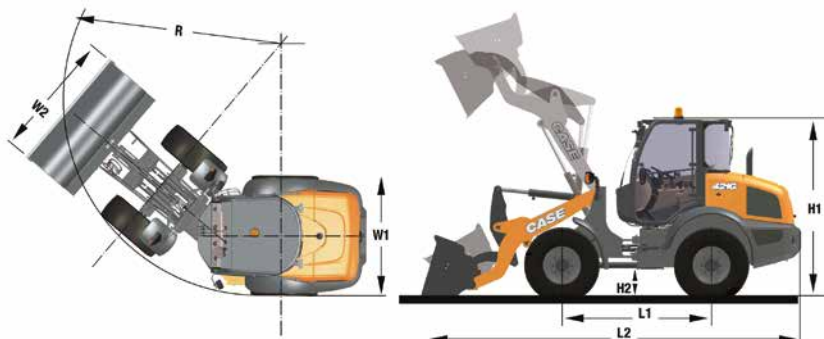
Protection against falling objects (FOPS) \_\_\_\_\_ According to ISO  
3449:2005  
Protection against roll-over (ROPS) \_\_\_\_\_ According to ISO  
3471:2008

### NOISE

Sound power level - LwA  
Guaranteed sound power level determined according to  
European Directive 2000/14/EC (dB) \_\_\_\_\_ 103  
At operator's station - LpA  
in compliance with standard ISO 6396:2008 (dB) \_\_\_\_\_ 71

### ELECTRICAL SYSTEM

**Battery capacity**  
standard weather package \_\_\_\_\_ 12V 100Ah 850A  
extreme weather package (2x) \_\_\_\_\_ 12 V 60 Ah 600A  
Alternator capacity \_\_\_\_\_ 14 V - 160 A

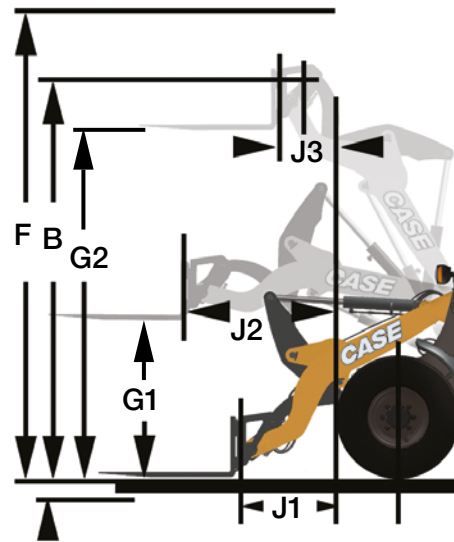
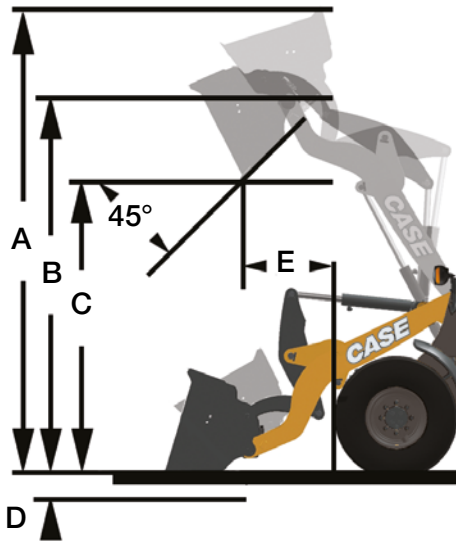


### GENERAL DIMENSIONS

Dimension	Description	Unit	Value
H1	Height to the top of the ROPS	mm	3005
H2	Ground clearance	mm	349
W1	Overall width (exclusive of bucket)	mm	2289
W2	Overall width (with bucket)	mm	2400
L1	Wheelbase	mm	2600
L2	Max. length in carry position	mm	6354
R	Turning radius (outside of tires)	mm	4716

# SPECIFICATIONS

## 421G



### SPECIFICATIONS WITH BUCKET

Bucket Volume (SAE)	m <sup>3</sup>	1.5
Tipping load straight	kg	6679
Tipping load at full turn (40°)	kg	5878
Payload @50%	kg	2939
Breakout Force	kg	7161
A Max bucket height	mm	4940
B Hinge pin height	mm	3714
C Dump height @45°	mm	2711
D Dig Depth	mm	77
E Reach at full height	mm	860
Operating weight (std. bucket)	kg	8970

### SPECIFICATIONS WITH FORKS

Tipping load straight	kg	4851
Tipping load at full turn (40°)	kg	4275
Payload @80%*	kg	3420
B Hinge pin height	mm	3714
F Max overall height	mm	3839
G2 Max fork height	mm	3514
G1 Forks height @ max reach	mm	1708
J1 Reach @ ground level	mm	815
J2 Max Reach	mm	1511
J3 Reach @ max height	mm	716
Operating weight with forks	kg	8710

\*on even ground, according to ISO 8313 and EN 474-3

# STANDARD AND OPTIONS

## STANDARD EQUIPMENT

- + ROPS/FOPS Level II deluxe cab with heater
- + Openable right hand door with sliding window
- + Full adjustment of the steering column
- + Air suspended seat
- + Seat mounted EH joystick and cab instrumentation
- + Color display with encoder
- + Keypad for easy machine setting
- + Rear camera
- + Radio ready
- + Standard weather package
- + Emergency steering
- + LED work lights
- + Two travel speed with 40 km/h top speed
- + ECO mode
- + 3<sup>rd</sup> Function
- + Cruise control
- + Creep speed
- + Standard flow (95 lpm)
- + Remote drain of hydraulic oil
- + Floating function
- + Loader arm and bucket response control
- + Limited slip differential front & rear
- + 17.5 R25 tires
- + ISO quick coupler
- + Standard bucket
- + Emergency tow hook
- + Battery disconnect switch
- + P&CM modem
- + Subscription to Case Sitewatch and Site-Connect
- + Operator manual

## OPTIONAL EQUIPMENT

- + Deluxe cab with air conditioning
- + Radio with MP3 and USB plug
- + Heated air suspension seat
- + Wide internal view mirror
- + Heated external rear view mirrors
- + Front and rear view camera
- + Extra steps for right hand side access to the cab
- + Rotating beacon
- + Predisposition for fire extinguisher
- + Precleaner
- + Reverse alarm
- + Ride control
- + 4<sup>th</sup> function
- + 14-pin front electric socket
- + Anti-drop valves
- + Extreme weather package
- + High flow (125 lpm)
- + Return to Travel, Dig, Height
- + Ride control
- + Speed limiter to 20 km/h
- + 15.5 R25 tires
- + Snow tires
- + Road homologation
- + Light materials bucket
- + 4-in-1 bucket
- + Forks with transport protection



# BUILDING ON OUR HERITAGE.

Since 1842, at CASE Construction Equipment we have lived by an unwavering commitment to build practical, intuitive solutions that deliver both efficiency and productivity.

The vast CASE dealers' network is always ready to support and protect your investment.

At the end of the day, we do what's right for our customers and our communities so that they can count on CASE.

**CNH Industrial.**  
Deutschland GmbH  
Case Baumaschinen  
Benzstr. 1-3 - D-74076 - Heilbronn  
DEUTSCHLAND

**CNH Industrial**  
Maquinaria Spain, S.A.  
Avenida Aragón 402  
28022 Madrid  
ESPAÑA

**CNH Industrial France, S.A.**  
16-18 Rue des Rochettes  
91150 Morigny-Champigny  
FRANCE

**CNH Industrial Italia Spa**  
Lungo Stura Lazio 19  
10156, Torino  
ITALIA

**CASE Construction Equipment**  
Cranes Farm Rd  
Basildon - SS14 3AD  
UNITED KINGDOM

NOTE: Standard and optional fittings can vary according to the demands and specific regulations of each country. The illustrations may include optional rather than standard fittings - consult your Case dealer. Furthermore, CNH Industrial reserves the right to modify machine specifications without incurring any obligation relating to such changes.

Conforms to directive 2006/42/EC

**CASECE.COM**  
**00800-2273-7373**

The call is free from a land line.  
Check in advance with your Mobile Operator if you will be charged. Toll free number not available from all calling areas.

